



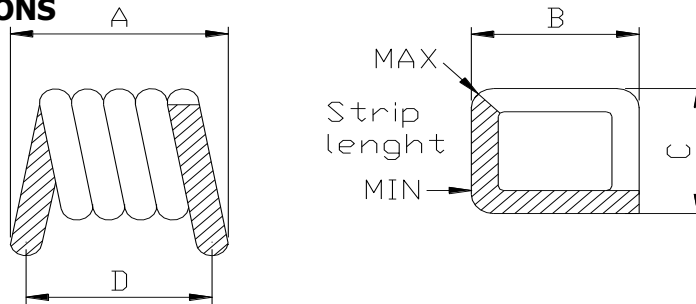
SS0806 SERIES ~ Spring Air Core Inductors



FEATURES

- SMD type air core inductor .
- Tape / Reel packaging available for auto-insertion .
- High Q coils .

SHAPES AND DIMENSIONS

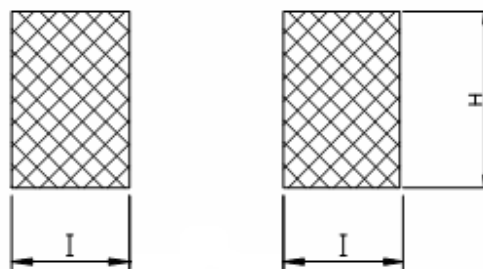


Dimensions(Unit:mm)

PART NUMBER	A	B	C	D
SS0806-5N5K-LF	1.346±0.102	1.829±0.254	1.397±0.102	0.962
SS0806-6N0K-LF	1.295±0.102	1.829±0.254	1.397±0.102	1.02
SS0806-8N9K-LF	1.626±0.152	1.829±0.254	1.397±0.102	1.32
SS0806-12NK-LF	1.930±0.152	1.829±0.254	1.397±0.102	1.63
SS0806-16NK-LF	2.286±0.152	1.829±0.254	1.397±0.102	1.96
SS0806-19NK-LF	2.591±0.152	1.829±0.254	1.397±0.102	2.29

RECOMMENDED PATTERNS

UNIT : mm



H=2.6 Ref. I=0.51 Ref



SS2012 SERIES ~ Spring Air Core Inductors

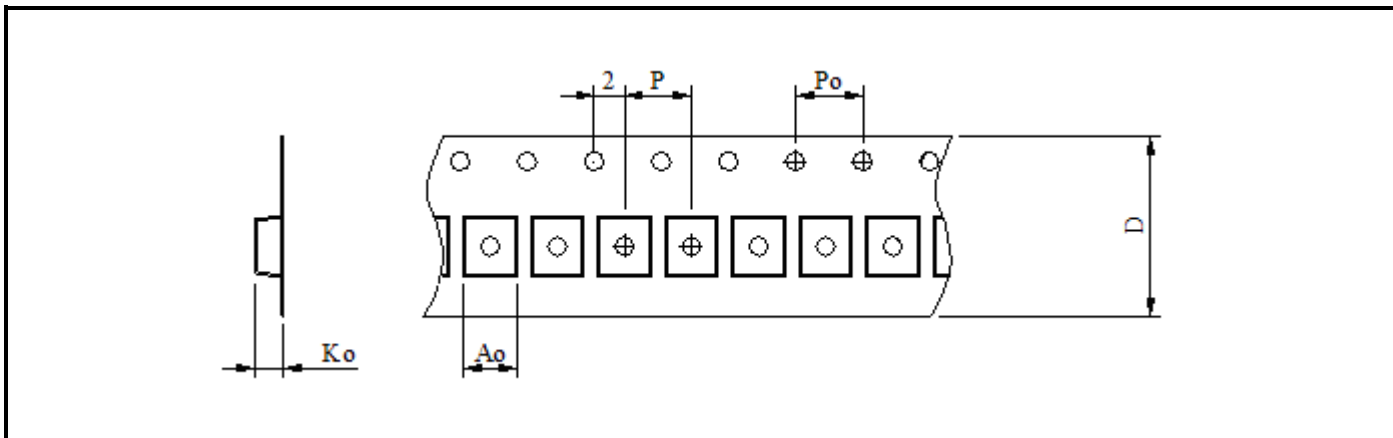


ELECTRONICS SPECIFICATIONS

PART NUMBER	INDUCTANCE (nH)	TEST FREQ. (MHZ)	Q. (Typ.)	DCR (mΩ) (Max)	SRF (GHz) (Typ.)	I _{rms} (A)
SS0806-5N5K-LF	5.5±10%	400	60	3.4	4.9	2.9
SS0806-6N0K-LF	6.0±10%	400	64	6.0	5.2	2.9
SS0806-8N9K-LF	8.9±10%	400	90	7.0	4.3	2.9
SS0806-12NK-LF	12.3±10%	400	90	8.0	4.8	2.9
SS0806-16NK-LF	15.7±10%	400	90	9.0	4.4	2.9
SS0806-19NK-LF	19.4±10%	400	90	10.0	4.0	2.9

* Operating temperature range : -40°C to +125°C.

PACKAGING SPECIFICATION



STAYLE	Q'TY (PCS)	DIMENSIONS (m/m)				
		Ao	Ko	P	Po	D±0.3
13"	6,000	2.2	1.45±0.1	4.0	4.0	12.0